

Air-condition system.....

1. Requirements

A ventilation system can supply fresh air to a room and exclude the exhaust from a room. The room can't become over-press at any time. The fresh air device may only run when the exhaust device is in working order. An indicator light is intended to indicate the failure of air condition system.

2. SR Solution

The ventilation system is monitored with air flow sensors. When no air flow is measured, and a short delay has elapsed, the system is switched off and a fault is reported, this can be acknowledged by pressing Stop button.

3. Components used

Input	Output
IA0 Start button	QA0 exhaust air device
IA1 Stop button(NC contact)	QA1 fresh air device
IA2 exhaust flow sensor	QA2 alarm light
IA3 Fresh air flow sensor	

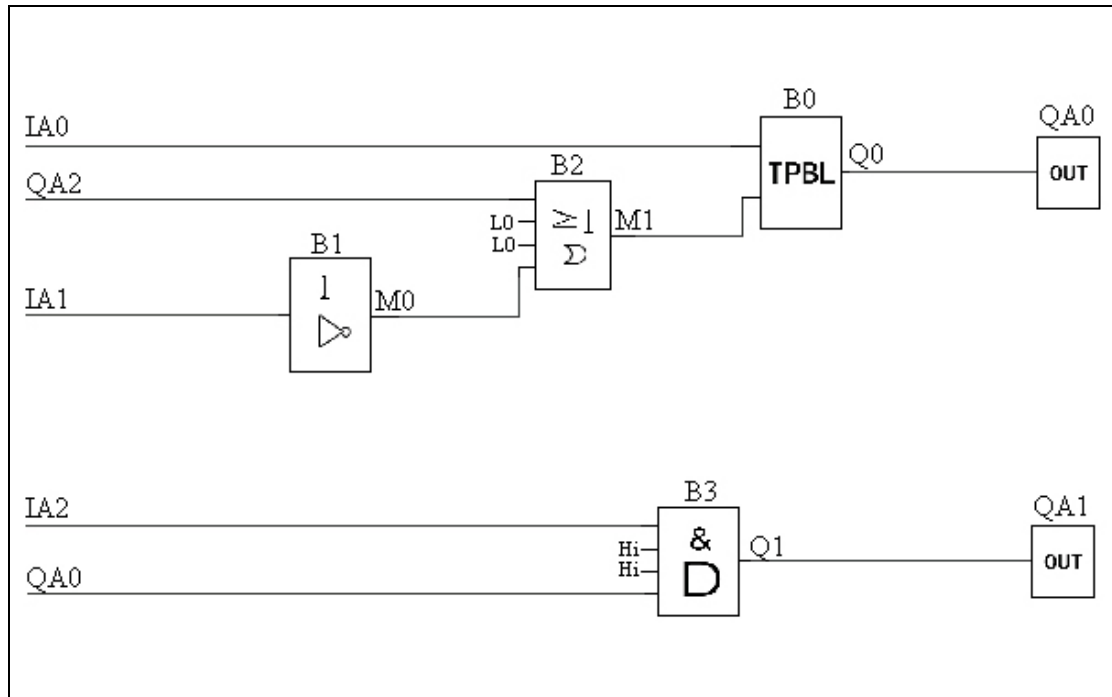
4. Advantages and Specialties

Fewer components are required than the traditional solutions.

This allows a saving to be made in installation time and space in the control cabinet.

5. Software Circuit Diagram

Part I



Part II.....

