

# Control system of shutter.....

## 1. Requirements

Control the shutter of a house by using SR, the manual or automatic operation is selected by the selector switch. The shutter is rolled up or down automatically according to the time, darkness and brightness.

## 2. SR Solution

The shutter can be manually controlled via the switches IA1 and IA2, in case that the selector switch (IA5) is not set at automatic position.

Automatic operation:

The selector switch (IA5) must be set at automatic position for automatic operation. If the photosensitive switch (IA0) is activated, the shutter is closed in the period time from 6:00 in the evening to 7:00 in the next morning, and opened in the period time from 7:00 in the morning to 6:00 in the evening.

## 3. Components used

Input	Output
IA0 Photosensitive switch(NO contact)	QA0 Shutter-open
IA1 Manual switch-open(NO contact)	QA1 Shutter-close
IA2 Manual switch-close(NO contact)	
IA3 Limit switch-open(NO contact)	
IA4 Limit switch-close(NO contact)	
IA5 Selector switch-automatic mode	

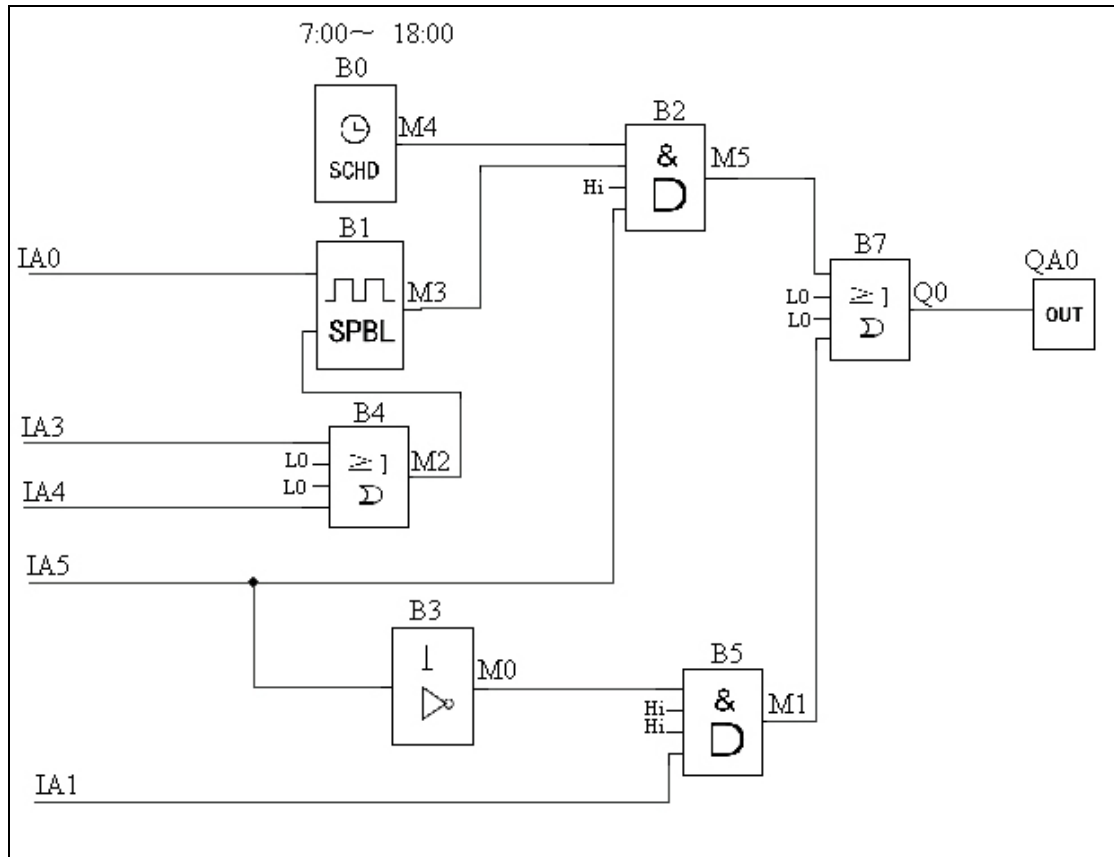
## 4. Advantages and Specialties

The times can easily be adjusted by any case, e.g. different times on workdays, weekend and holidays.

Energy saving by using of time switch and photosensitive switch.

## 5. Software Circuit Diagram

Part I .....



Part II.....

