

# Shop window Lighting.....

## 1. Requirements

A shop window display is to be automatically lit using SR. There are 4 different groups of lights. One for lighting during the day, one for additional lighting in the evening, one for minimum lighting during the night and one for spotlights, to light particular articles.

## 2. SR Solution

The shop window is to be lit from Monday to Friday from AM8:00 until PM10:00, on Saturday from 8:00 to midnight, on Sunday from midday to PM8:00, with these times light group 1 is switched on via a time switch.

In the evening additional light group 2 is switched on, if the photosensitive switch IA0 responds;

Without the above working hours, light group 3 takes over minimum lighting at night;

With the working hours, light group 4 is switched on by worker;

All the light groups can be switched on for 1 minute via the test switch.

## 3. Components used

Input	Output
IA0 photosensitive switch ( NO contact )	QA0 Light group 1
IA1 ON switch ( NO contact )	QA1 Light group 2
IA2 Test switch ( NO contact )	QA2 Light group 3(minimum lighting)
IA3 Motion detector ( NO contact )	QA3 Light group 4(spotlight)

## 4. Advantages and Specialties

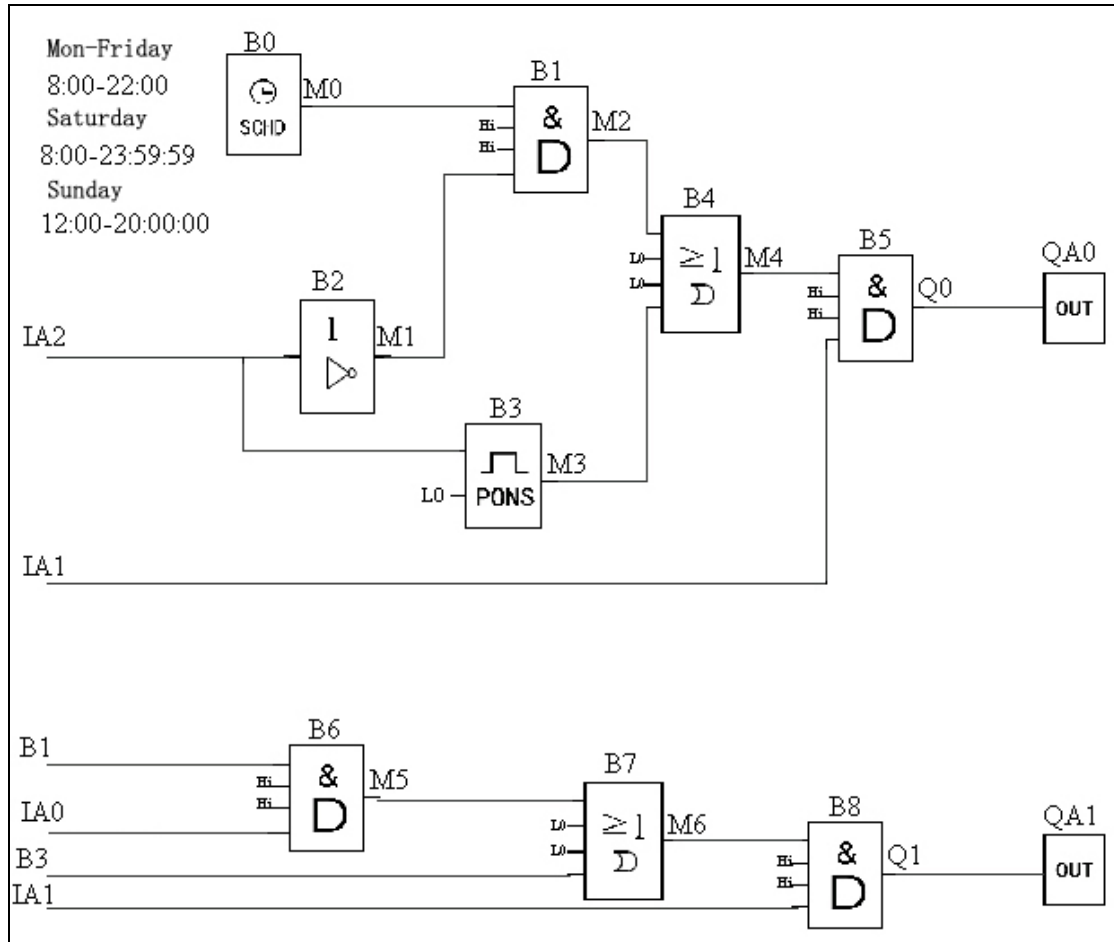
The set time ranges can be changed at any time as desired;

Other combination of light groups can easily be selected;

Fewer components are necessary than the traditional solutions.

## 5. Software Circuit Diagram

Part I .....



Part II.....

